

PRODUCT SPECIFICATIONS

CONTROL KEYBOARD

DCK-255

3 Axis, LCD display

Features

- Power, Pan/Tilt, Zoom , Focus , AUX Remote Control
- Maximum up to 255 Units CCTV receiver and camera control
- Automatic Back-Up Function: Keyboard Original Set up Mode
- Connect with up to 8 units Sub Keyboard
- Connect with Matrix, PC , ARU , AIU
- Control up to 32 Units Monitor

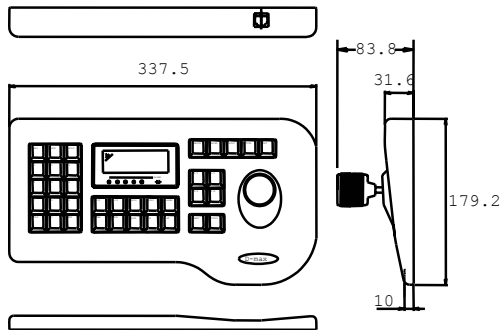
Picture



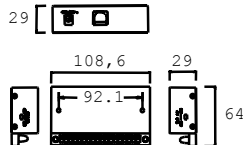
Specifications

MODEL	DCK-255
Control	Pan/Tilt , Zoom , Power , Auto Pan AUX Control x 2 , Preset
Connecting Unit	CCTV Receiver (DRX-502A/500) PTZ DOME CAMERA
Communication Method	RS-485 (422)
Communication Speed	RS485 – 9600bps , N , 8 , 1
Connector	Modular cable connection with junction box Power supplied via junction box
Package	Junction Box , 5M cable
Operating Distance	Max.1.2km (When using shielded twisted pair cable)
Power	DC12V, 1A
Power Consumption	6W
Operating Condition	0°C ~ +40°C
Weight	About 1.2Kg
Dimensions	337.5(W) x 83.8 (H) x 179.2 (D)mm

Dimensions



KEYBOARD



JUNCTION BOX