

PRODUCT SPECIFICATIONS

High Speed Dome Camera

DSC-300Se

230X Zoom, Day&Night, Hitachi Module

Features

- 410K PIXEL, 1/4" SONY Super HAD CCD
- 23x Auto Focus Optical Zoom, (230X in total)
- Built-in Hitachi DSP □ Camera Module
- Day & Night (ICR)
- Low Illumination with DSS, 0.009Lux
- Perfect Back Light Compensation (WDR Functions)
- Smart Zoom (Speed control by Zoom ratio)
- 128 Programmable Preset Positions
- Swing, Group, Trace, Spiral, Auto Flip, Alarm etc.
- 8 Privacy Masking Zones
- Motion Detection
- Suits for Factory, Military Base, Outside Building etc.

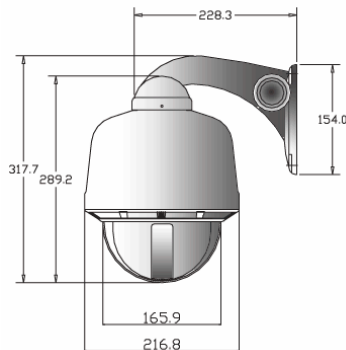
Picture



Specifications

MODEL	DSC-300Se	
Signal system	NTSC	PAL
Image sensor	1/4" Sony HAD CCD	
Effective pixels	768(H) X 494(V),	752(H) X 582(V),
Horizontal resolution	More than 480 TVL	
Lens	23x Optical zoom, f =3.6 -82.8mm	
Digital zoom	10x (Total zoom 230x)	
Angle of view	Approx 54° (Wide), Approx 2.5° (Tele),	
Minimum illumination	0.5 Lux , 0.1Lux(D&N), 0.009Lux(DSS)/F1.6	
Luminance S/N ratio	More than 50dB	
Video output	1 Vp-p Composite video output 75Ω	
Focus mode	Auto / Manual	
WDR	Auto / Off / Manual (Level 1~126)	
Motion detection	On/ Off	
Shutter speed	Auto	
Back Light	On / Off	
Auto Flip	On/ Off	
Alarm in/out	4 Inputs / 1 Relay Output	
Pan/Tilt angle	360° Endless / 92°	
Pan speed	0.1° ~ 240°/sec (64 Levels)	
Preset point	128 Presets	
Preset Speed	Max 360°/sec (64 Levels)	
Privacy zones masking	8 Zones	
Operating temperature	- 10°C ~ 50°C (-14°F ~ 122°F)	
Communication system	RS-485 / 422	
Operating Fan/Heater	Over than 45°C / Less than 5°C	
Operating humidity	Less than 90%RH	
Dimensions	216.8mm(Diameter) x 289.2(Height) mm	
Weight	About 5.2Kg (Without adaptor)	
Construction	Aluminum body , Clear vandal bubble (PC)	
Power consumption	21W (Max)	
Power supply	AC24V, 60/50 Hz	

Dimensions



unit : mm

Selectable

Optional



DSC-30EWP

20ECP

20CMA

20PMA